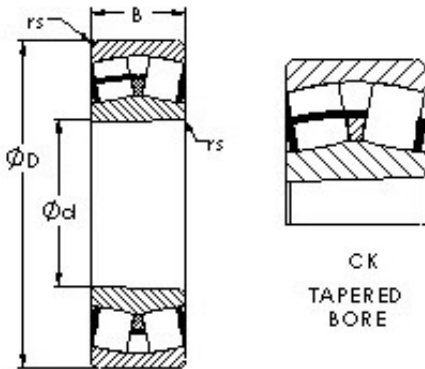




# LAD Bearing International Trade Co., ...



## AST 22315CK spherical roller bearings

Bearing No. 22315CK

Size	75x160x55 mm
Bore Diameter	75 mm
Outer Diameter	160 mm
Width	55 mm
Bearing Type	tapered bore
Bore Dia (d)	75.0000
Outer Dia (D)	160.0000
Width (B)	55.0000
Radius (min) (rs)	2.100
Dynamic Load Rating (Cr)	415,000
Static Load Rating (Cor)	520,000
Max Speed (Grease) (X1000 RPM)	2
Max Speed (Oil) (X1000 RPM)	3
Weight (g)	5,160.00
Material	52100 Chrome steel, or equivalent

22315CK Bearing 2D drawings and 3D CAD models