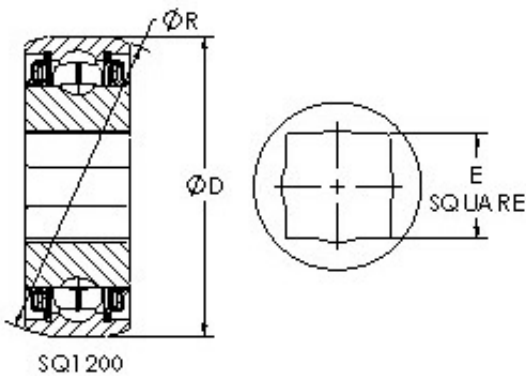




LAD Bearing International Trade Co., ...



AST SQ1211-108 deep groove ball bearings

Bearing No. SQ1211-108

Outer Diameter	103,5558 mm
Bearing Type	Spherical OD
Outer Dia (D)	4.0770
Outer Width (Bo)	1.4370
Inner Width (Bi)	1.7520
Square Hole Size (E)	1.53
Spherical Diameter (dk or Dk)	4.125
Shaft Size (ds) - 1-1/2" SQ	11/2" SQ
Weight (g)	1,350.00

SQ1211-108 Bearing 2D drawings and 3D CAD models