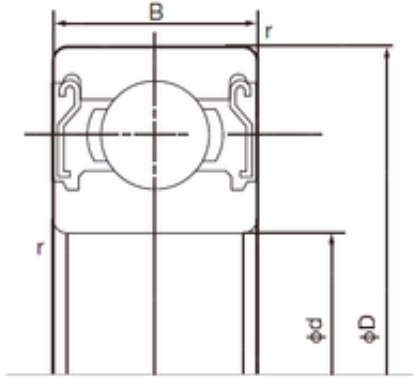




## NACHI 6317ZZ deep groove ball bearings



Bearing No. 6317ZZ

6317ZZ Bearing 2D drawings and 3D CAD models

|                                 |                          |
|---------------------------------|--------------------------|
| Size                            | 85x180x41 mm             |
| Bore Diameter                   | 85 mm                    |
| Outer Diameter                  | 180 mm                   |
| Width                           | 41 mm                    |
| d                               | 85 mm                    |
| D                               | 180 mm                   |
| B                               | 41 mm                    |
| C                               | 41 mm                    |
| r min.                          | 3 mm                     |
| da min.                         | 99 mm                    |
| Da max.                         | 166 mm                   |
| ra max.                         | 2.5 mm                   |
| Weight                          | 4.23 Kg                  |
| Basic dynamic load rating (C)   | 133 kN                   |
| Basic static load rating (C0)   | 96,5 kN                  |
| Category                        | Single Row Ball Bearings |
| Inventory                       | 0.0                      |
| Manufacturer Name               | NACHI                    |
| Minimum Buy Quantity            | N/A                      |
| Weight / Kilogram               | 0                        |
| Product Group                   | B00308                   |
| Enclosure                       | 2 Metal Shields          |
| Precision Class                 | ABEC 1   ISO P0          |
| Maximum Capacity / Filling Slot | No                       |
| Rolling Element                 | Ball Bearing             |



## LAD Bearing International Trade Co., ...

|                           |                                                                                                                                                                                                          |
|---------------------------|----------------------------------------------------------------------------------------------------------------------------------------------------------------------------------------------------------|
| Snap Ring                 | No                                                                                                                                                                                                       |
| Internal Special Features | No                                                                                                                                                                                                       |
| Cage Material             | Steel                                                                                                                                                                                                    |
| Internal Clearance        | C0-Medium                                                                                                                                                                                                |
| Inch - Metric             | Metric                                                                                                                                                                                                   |
| Long Description          | 85MM Bore; 180MM Outside Diameter; 41MM Outer Race Width; 2 Metal Shields; Ball Bearing; ABEC 1   ISO P0; No Filling Slot; No Snap Ring; No Internal Special Features; C0-Medium Internal Clearance; Ste |
| Other Features            | Deep Groove                                                                                                                                                                                              |
| Category                  | Single Row Ball Bearing                                                                                                                                                                                  |
| UNSPSC                    | 31171504                                                                                                                                                                                                 |
| Harmonized Tariff Code    | 8482.10.50.68                                                                                                                                                                                            |
| Noun                      | Bearing                                                                                                                                                                                                  |
| Keyword String            | Ball                                                                                                                                                                                                     |
| Manufacturer URL          | <a href="http://www.nachiamerica.com">http://www.nachiamerica.com</a>                                                                                                                                    |
| Inner Race Width          | 0 Inch   0 Millimeter                                                                                                                                                                                    |
| Outer Race Width          | 1.614 Inch   41 Millimeter                                                                                                                                                                               |
| Bore                      | 3.346 Inch   85 Millimeter                                                                                                                                                                               |
| Outside Diameter          | 7.087 Inch   180 Millimeter                                                                                                                                                                              |
| Bore Type                 | Cylindrical Bore                                                                                                                                                                                         |
| Configuration             | Single Row                                                                                                                                                                                               |
| Bore Size                 | 85 mm                                                                                                                                                                                                    |
| Width                     | 41 mm                                                                                                                                                                                                    |
| Fillet Radius/Chamfer     | 3 mm                                                                                                                                                                                                     |
| Dynamic Load Rating       | 133,000 N                                                                                                                                                                                                |
| Static Load Rating        | 96,500 N                                                                                                                                                                                                 |
| Limiting Speed - Grease   | 3,800 rpm                                                                                                                                                                                                |
| Factor fo                 | 13.3                                                                                                                                                                                                     |



## LAD Bearing International Trade Co., ...

|                  |                   |
|------------------|-------------------|
| Radial Clearance | 0.012 to 0.036 mm |
| da (min)         | 99 mm             |
| Da (max)         | 166 mm            |
| ra (max)         | 2.5 mm            |