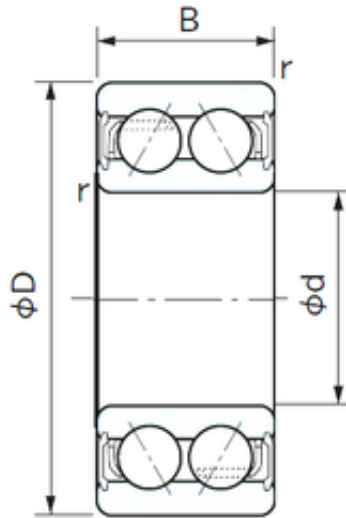




LAD Bearing International Trade Co., ...



NACHI 5205-2NS angular contact ball bearings

Bearing No. 5205-2NS

Size	25x52x20.6 mm
Bore Diameter	25 mm
Outer Diameter	52 mm
Width	20.6 mm
d	25 mm
D	52 mm
B	20.6 mm
C	20.6 mm
r min.	1 mm
Weight	0.190 Kg
Basic dynamic load rating (C)	21,8 kN
Basic static load rating (C0)	15,1 kN
(Grease) Lubrication Speed	9500 r/min
Enclosure	Double Seal
Configuration	Double Row
Bore Type	Cylindrical Bore
Bore Size	25 mm
Outside Diameter	52 mm
Width	20.6 mm
Fillet Radius/Chamfer	1 mm
Dynamic Load Rating	21,800 N
Static Load Rating	15,100 N
Limiting Speed - Oil	9,500 rpm
Radial Clearance	0.005 to 0.020 mm
da	31 mm
Da	46 mm

5205-2NS Bearing 2D drawings and 3D CAD models



LAD Bearing International Trade Co., ...

ra	1 mm
----	------