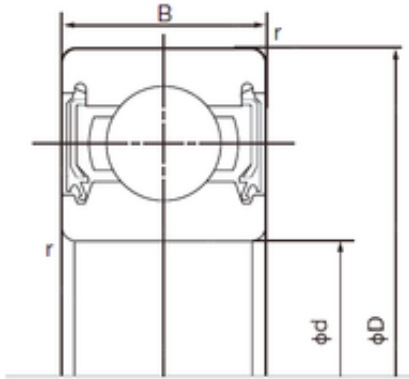




LAD Bearing International Trade Co., ...

NACHI 6308-2NSE deep groove ball bearings



Bearing No. 6308-2NSE

Size	40x90x23 mm
Bore Diameter	40 mm
Outer Diameter	90 mm
Width	23 mm
d	40 mm
D	90 mm
B	23 mm
C	23 mm
r min.	1.5 mm
da min.	49 mm
Da max.	81 mm
ra max.	1.5 mm
Weight	0.633 Kg
Basic dynamic load rating (C)	40,5 kN
Basic static load rating (C0)	24,1 kN

6308-2NSE Bearing 2D drawings and 3D CAD models