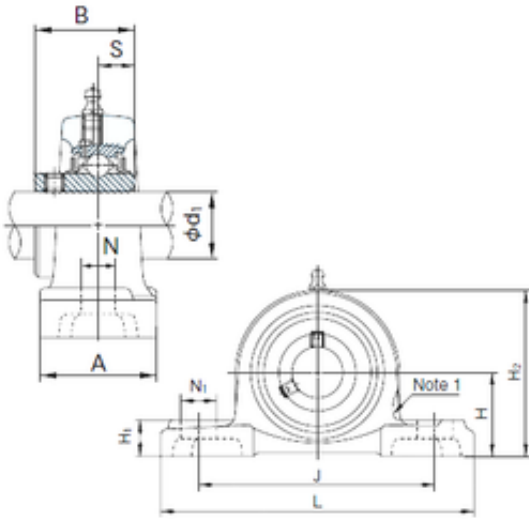




LAD Bearing International Trade Co., ...



UCP324 Bearing 2D drawings and 3D CAD models

NACHI UCP324 bearing units

Bearing No. UCP324

Bore Diameter	120 mm
Width	126 mm
d	120 mm
A	140 mm
B	126 mm
H	160 mm
H1	70 mm
H2	321 mm
J	450 mm
L	570 mm
N	40 mm
N1	55 mm
S	51 mm
Bolt (G)	M33