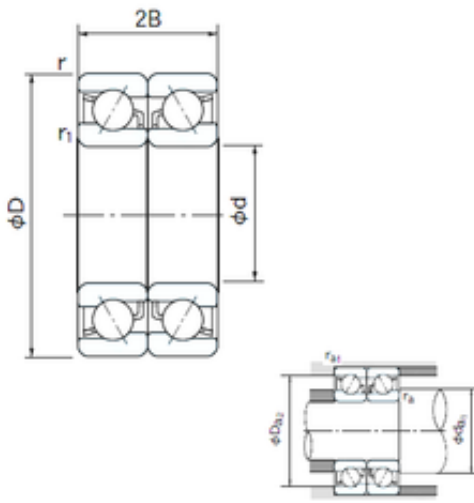




LAD Bearing International Trade Co., ...



7020CDB Bearing 2D drawings and 3D CAD models

NACHI 7020CDB angular contact ball bearings

Bearing No. 7020CDB

Size	100x150x24 mm
Bore Diameter	100 mm
Outer Diameter	150 mm
Width	24 mm
d	100 mm
D	150 mm
B	24 mm
C	24 mm
Angle (°)	15 °
a	2.4 mm
r min.	1.5 mm
r1 min.	1 mm
2B	48 mm
da min.	107 mm
Da max.	145.6 mm
ra max.	1 mm
Weight	1.37 Kg
Basic dynamic load rating (C)	123 kN
Basic static load rating (C0)	156 kN
(Grease) Lubrication Speed	5100 r/min
Bore Type	Cylindrical Bore
Enclosure	Open
Configuration	Duplex
Bore Size	100 mm
Outside Diameter	150 mm
Width	24 mm



LAD Bearing International Trade Co., ...

Fillet Radius/Chamfer	1.5 mm
r1	1 mm
Dynamic Load Rating	123,000 N
Static Load Rating	156,000 N
Limiting Speed - Grease	5,100 rpm
Limiting Speed - Oil	7,000 rpm
da1 (min)	107 mm
da2 (min)	107 mm
Da1 (max)	143 mm
Da2 (max)	145.6 mm
ra (max)	1.5 mm
ra1 (max)	1 mm