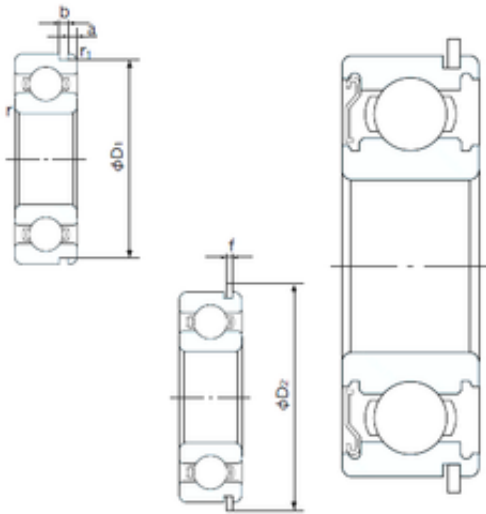




LAD Bearing International Trade Co., ...



6908ZNR Bearing 2D drawings and 3D CAD models

NACHI 6908ZNR deep groove ball bearings

Bearing No. 6908ZNR

Size	40x62x12 mm
Bore Diameter	40 mm
Outer Diameter	62 mm
Width	12 mm
d	40 mm
D	62 mm
B	12 mm
C	12 mm
a	1.7 mm
b	0.95 mm
f	0.85 mm
r min.	0.6 mm
r1 min.	0.5 mm
D1	60.7 mm
D2	64.8 mm
Weight	0.110 Kg
Basic dynamic load rating (C)	13,7 kN
Basic static load rating (C0)	9,95 kN
(Grease) Lubrication Speed	11000 r/min
Enclosure	Single Shield with Snap Ring
Bore Type	Cylindrical Bore
Configuration	Single Row
Bore Size	40 mm
Outside Diameter	62 mm
Width	12 mm
Fillet Radius/Chamfer	0.6 mm



LAD Bearing International Trade Co., ...

r1	0.5 mm
Snap Ring Width	0.9 mm
Snap Ring Outside Diameter	64.8 mm
D1 (max)	60.7 mm
a (max)	1.7 mm
b (min)	1 mm
Dynamic Load Rating	13,700 N
Static Load Rating	9,950 N
Limiting Speed - Grease	11,000 rpm
Limiting Speed - Oil	13,000 rpm
Factor fo	15.8
Radial Clearance	0.006 to 0.020 mm
da (min)	44 mm
Da (max)	58 mm
Dx (min)	65.5 mm
ra (max)	0.6 mm
Cy (max)	2.3 mm