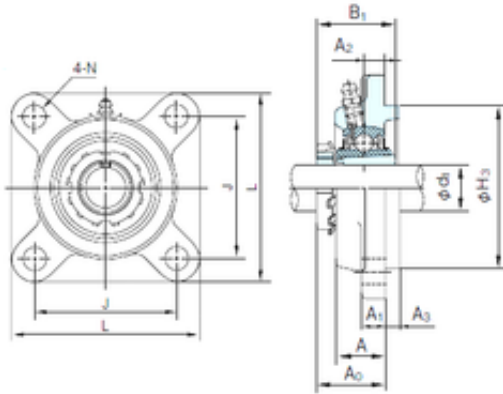




NACHI UKFS318+H2318 bearing units



Bearing No. UKFS318+H2318

Bore Diameter	80 mm
d1	80 mm
H3	240 mm
A0	73.5 mm
A	56 mm
A1	30 mm
B1	86 mm
J	216 mm
L	280 mm
N	35 mm
Bolt (G)	M30
A2	24 mm
A3	20 mm

UKFS318+H2318 Bearing 2D drawings and 3D CAD models